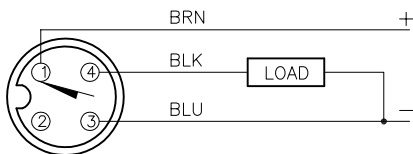


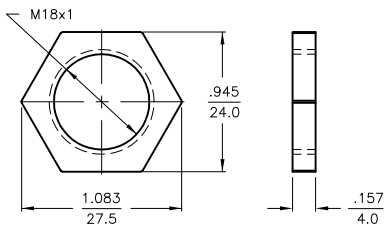
WIRING DIAGRAM



OUTPUT: AP4X

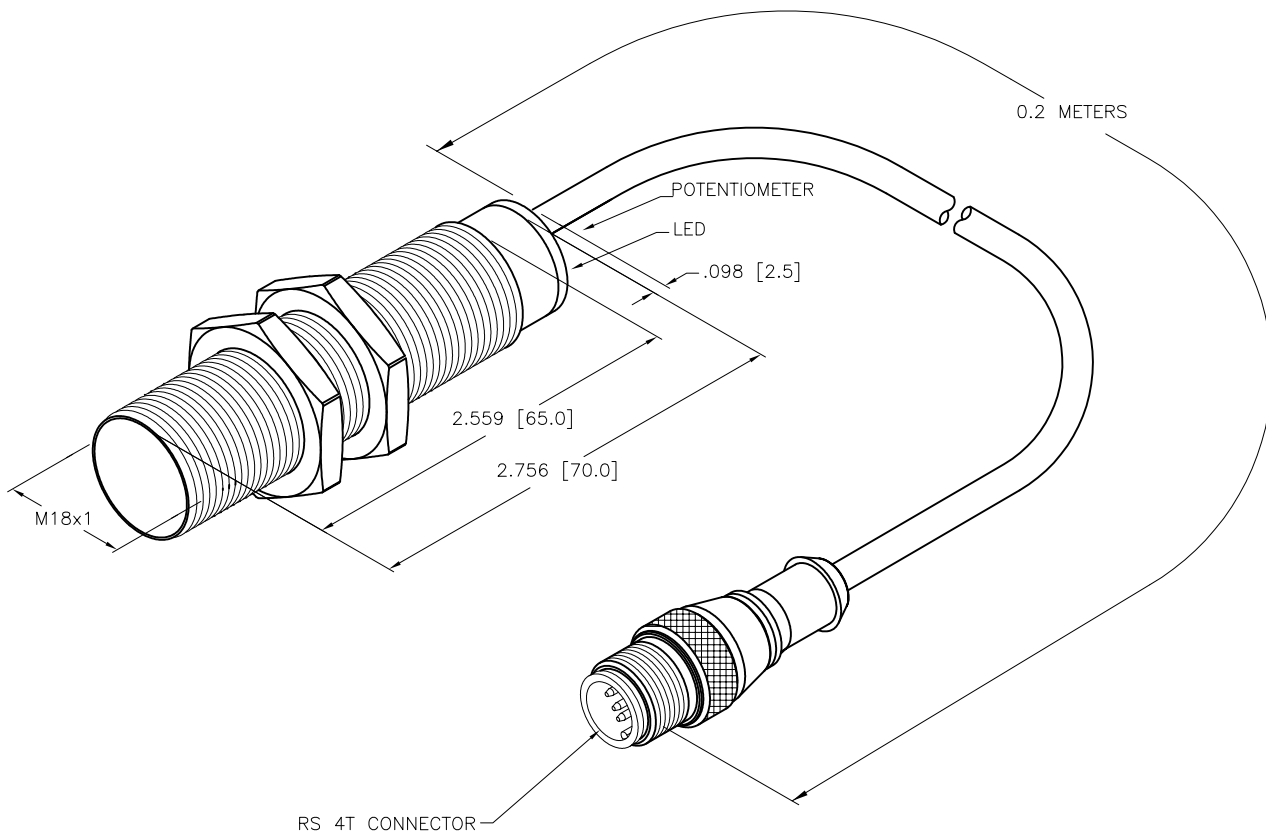
SHORT-CIRCUIT AND OVERLOAD PROTECTED

LOCKNUT LN-M18



SPECIFICATIONS

RATED OPERATING DISTANCE	5mm [.197] FLUSH MOUNTED 5mm [.197] NON-FLUSH MOUNTED
HYSTERESIS	2-20%
TEMPERATURE DRIFT	≤ ±20%
MIN. REPEAT ACCURACY	≤ 2%
OPERATING TEMPERATURE	-25°C to +70°C (-13°F to +158°F)
RATED OPERATIONAL VOLTAGE	10-65 VDC
MAX. RIPPLE	≤ 10%
DC RATED OPERATIONAL CURRENT	≤ 200 mA
NO-LOAD CURRENT	≤ 15 mA
RESIDUAL CURRENT	≤ 0.1 mA
MAX. SWITCHING FREQUENCY	≤ 0.1 kHz
RATED INSULATION VOLTAGE	≤ 0.5 kV
OUTPUT FUNCTION	3-WIRE, NORMALLY OPEN, PNP
SHORT-CIRCUIT PROTECTION	YES
MAX. VOLTAGE DROP	≤ 1.8 V
WIRE BREAKAGE PROTECTION	INCORPORATED
REVERSE POLARITY PROTECTION	INCORPORATED
HOUSING MATERIAL	BRASS/CHROME-PLATED
ACTIVE FACE MATERIAL	PLASTIC, PBT-GF30-V0
CABLE	∅5.2, LifYY, PVC
VIBRATION RESISTANCE	55 Hz (IN ALL 3 PLANES)
SHOCK RESISTANCE	30 g, 11 ms
DEGREE OF PROTECTION	IP 67
SWITCHING STATUS INDICATION	LED, YELLOW



SOURCE DRAWING - FOR REFERENCE ONLY

RELATED DOCUMENTS		3RD ANGLE PROJECTION		THIS DRAWING IS CONFIDENTIAL AND THE PROPERTY OF TURCK INC. USE OF THIS DOCUMENT WITHOUT WRITTEN PERMISSION IS PROHIBITED.		3000 CAMPUS DRIVE MINNEAPOLIS, MN 55441 1-800-544-7769 (763) 553-7300 (763) 553-0708 fax www.turck.us	
1.				DRFT	NF	DATE	02/16/17
2.				APVD		SCALE	1=1.0
3.		ALL DIMENSIONS DISPLAYED ON THIS DRAWING ARE FOR REFERENCE ONLY				DESCRIPTION	
4.		CONTACT TURCK FOR MORE INFORMATION				BC5-M18-AP4X-0.2-RS4T	
MATERIAL		FINISH		UNIT OF MEASUREMENT		IDENTIFICATION NO.	
				INCH [MILLIMETER]		2504090	
DO NOT SCALE THIS DRAWING		FILE: 2504090		REV		B	
B UPDATE ID NUMBER PER HARMONIZATION PROJECT		CBM 11/30/17		SHEET 1 OF 1			
REV	DESCRIPTION	BY	DATE	ECO NO.			

B	UPDATE ID NUMBER PER HARMONIZATION PROJECT	CBM	11/30/17	
REV	DESCRIPTION	BY	DATE	ECO NO.